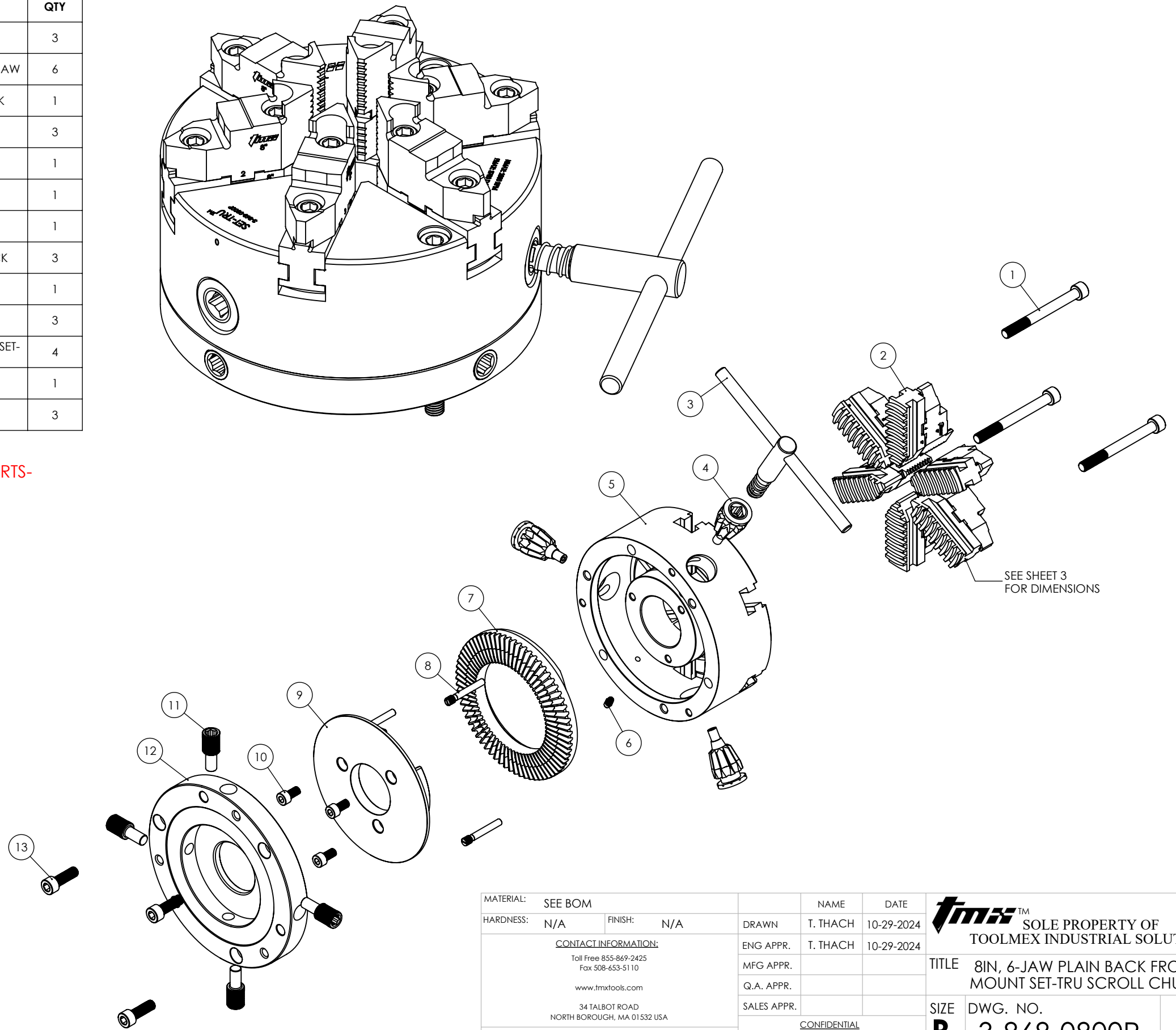


ITEM NO.	PART NUMBER	DESCRIPTION	QTY
1	3-897-10100	MOUNTING BOLT, 10x1.5, 100mm	3
2	3-891-608P	FULL OEM JAW REPLACEMENT SET, 8IN, 6-JAW	6
3	3-889-008P	WRENCH FOR 6IN & 8IN SCROLL CHUCK	1
4	3-886-308P	PINION FOR 8in SCROLL CHUCK	3
5	C-CK8-BDY6JFM	CHUCK BODY, 8IN	1
6	3-809-906P	FITTING, GREASE	1
7	3-887-308P	SCROLL PLATE FOR 8in CHUCK	1
8	3-888-910P	PINION SCREW FOR 8, 10 OR 12in CHUCK	3
9	C-CK8-COVER	PLATE, COVER, MACHINED	1
10	3-899-310P	SHCS, M8x1.25X16	3
11	3-897-608P	FINE ADJUSTMENT SCREW, M18x1 FOR 8in SET-TRU	4
12	C-CK8-MODULE	MODULE, SET-TRU, 8IN	1
13	3-897-10030	MOUNTING BOLT, 10x1.5, 30mm	3

-CLICK ON LINK BELOW FOR REPLACEMENT PARTS-

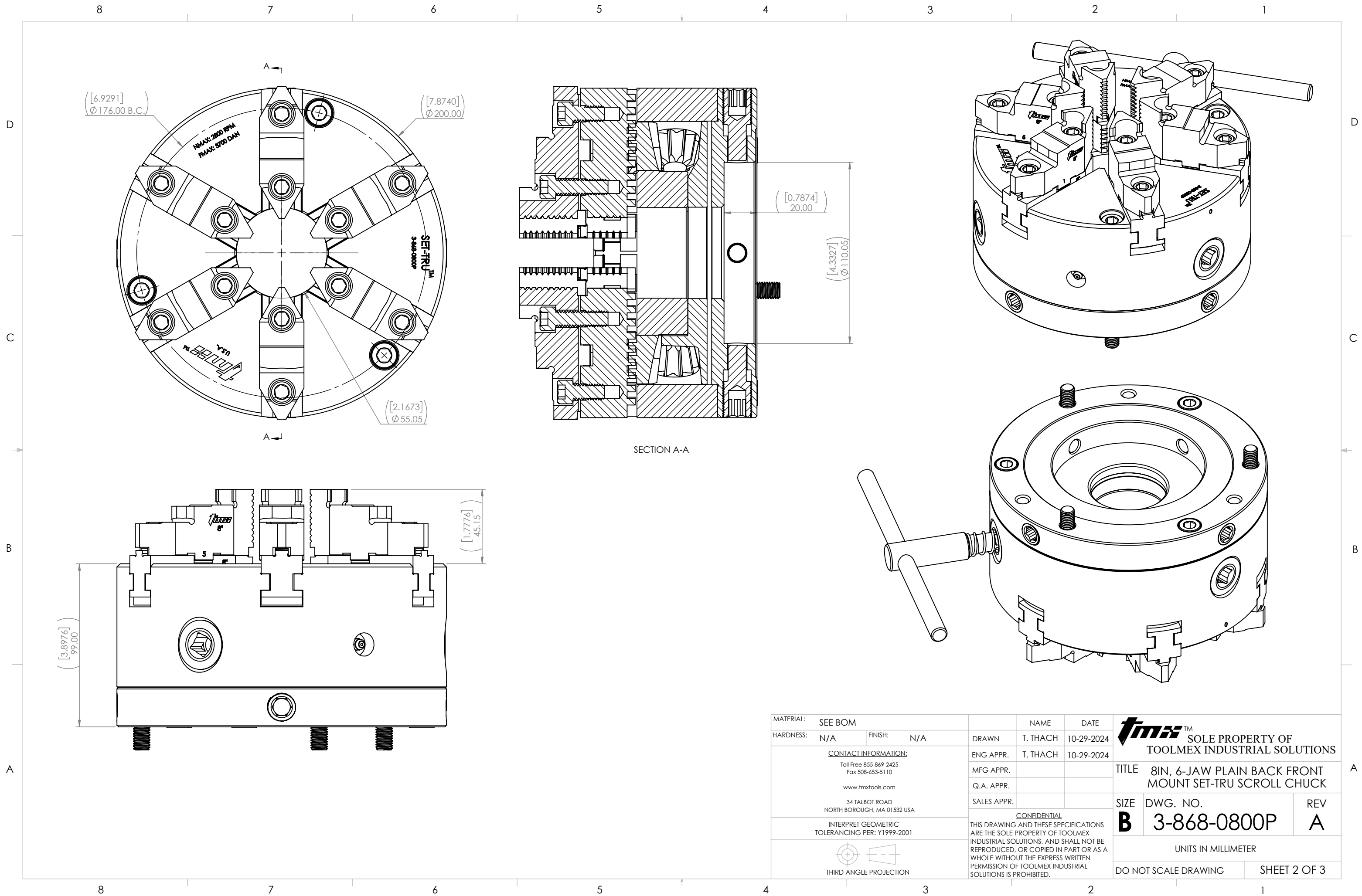
WWW.TOOLMEX.COM

SELLING UNIT: EACH
 CHUCK TYPE: SCROLL
 CHUCK SIZE: 6IN
 BODY MATERIAL: FORGED STEEL
 NUMBER OF JAWS: 6
 JAW TYPE: 2 PIECES
 WEIGHT: 50 LBS
 MOUNT TYPE: FRONT
 GRIPPING FORCE: 3700 daN
 SPEED: 2800 RPM Max.



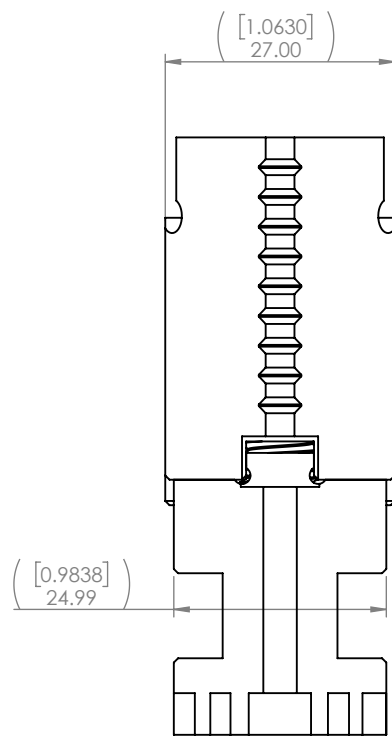
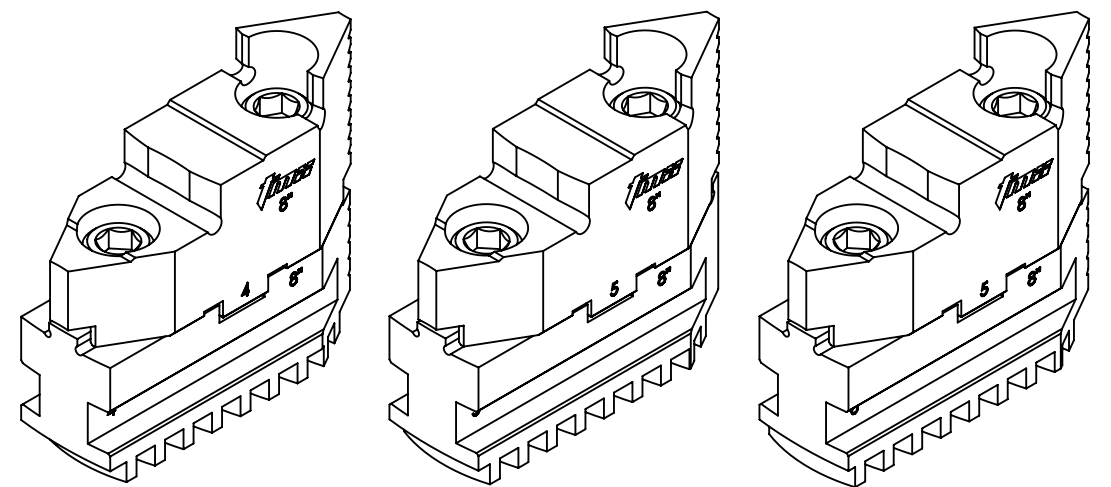
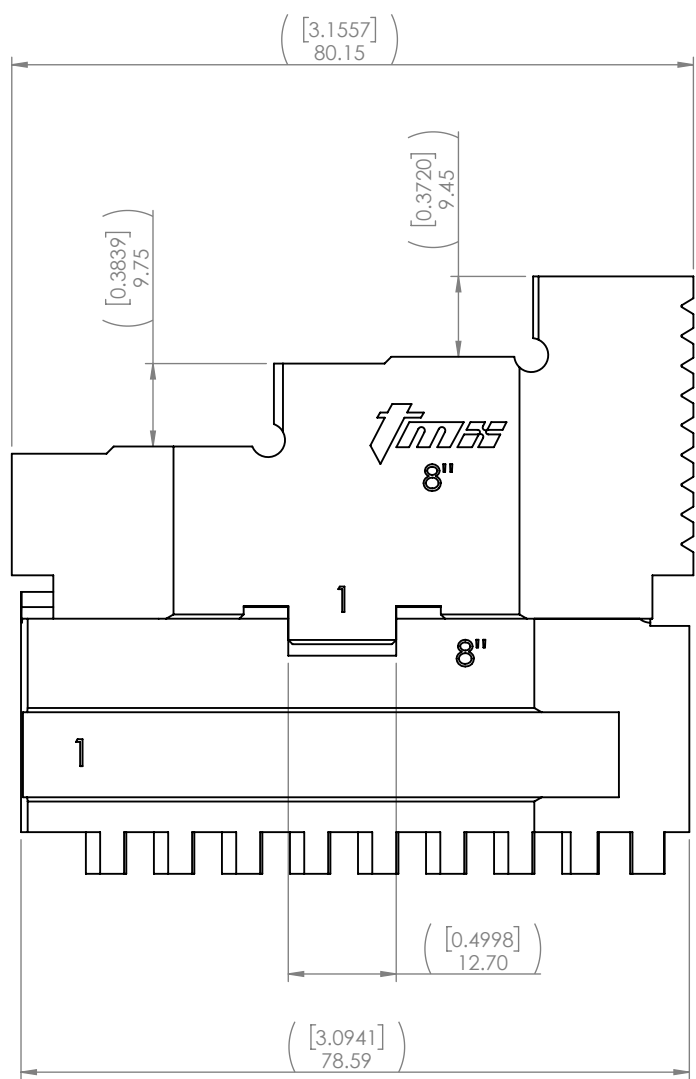
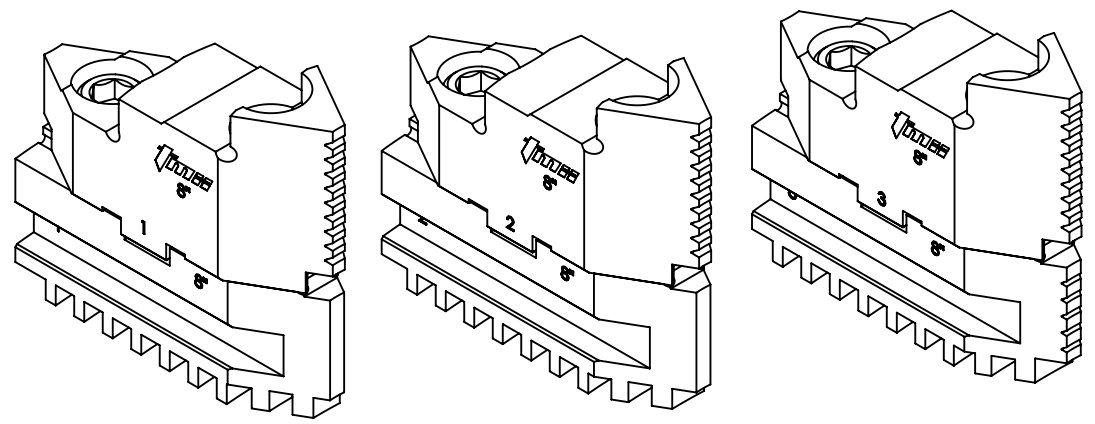
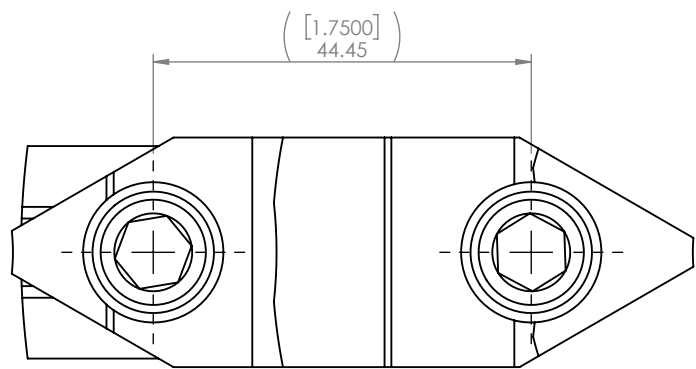
MATERIAL:	SEE BOM	NAME	T. THACH	DATE	10-29-2024
HARDNESS:	N/A	FINISH:	N/A	DRAWN	T. THACH
<u>CONTACT INFORMATION:</u> Toll Free 855-869-2425 Fax 508-653-5110 www.tmxtools.com 34 TALBOT ROAD NORTH BOROUGH, MA 01532 USA		ENG APPR.	T. THACH	10-29-2024	
INTERPRET GEOMETRIC TOLERANCING PER: Y1999-2001		MFG APPR.			
 THIRD ANGLE PROJECTION		Q.A. APPR.			
		SALES APPR.			
		CONFIDENTIAL THIS DRAWING AND THESE SPECIFICATIONS ARE THE SOLE PROPERTY OF TOOLMEX INDUSTRIAL SOLUTIONS, AND SHALL NOT BE REPRODUCED, OR COPIED IN PART OR AS A WHOLE WITHOUT THE EXPRESS WRITTEN PERMISSION OF TOOLMEX INDUSTRIAL SOLUTIONS IS PROHIBITED.			

 SOLE PROPERTY OF TOOLMEX INDUSTRIAL SOLUTIONS		
TITLE	8IN, 6-JAW PLAIN BACK FRONT MOUNT SET-TRU SCROLL CHUCK	
SIZE	DWG. NO.	REV
B	3-868-0800P	A
UNITS IN MILLIMETER		
DO NOT SCALE DRAWING	SHEET 1 OF 3	



MATERIAL:	SEE BOM	NAME	T. THACH	DATE	10-29-2024
HARDNESS:	N/A	FINISH:	N/A	DRAWN	T. THACH
<p>CONTACT INFORMATION: Toll Free 855-869-2425 Fax 508-653-5110 www.tmxtools.com 34 TALBOT ROAD NORTH BOROUGH, MA 01532 USA</p>			ENG APPR.	T. THACH	10-29-2024
			MFG APPR.		
			Q.A. APPR.		
			SALES APPR.		
<p>INTERPRET GEOMETRIC TOLERANCING PER: Y1999-2001</p>			<p>CONFIDENTIAL THIS DRAWING AND THESE SPECIFICATIONS ARE THE SOLE PROPERTY OF TOOLMEX INDUSTRIAL SOLUTIONS, AND SHALL NOT BE REPRODUCED, OR COPIED IN PART OR AS A WHOLE WITHOUT THE EXPRESS WRITTEN PERMISSION OF TOOLMEX INDUSTRIAL SOLUTIONS IS PROHIBITED.</p>		
<p>THIRD ANGLE PROJECTION</p>			<p>SOLE PROPERTY OF TOOLMEX INDUSTRIAL SOLUTIONS</p>		
			<p>TITLE 8IN, 6-JAW PLAIN BACK FRONT MOUNT SET-TRU SCROLL CHUCK</p>		
			<p>SIZE DWG. NO.</p>	<p>REV</p>	
			<p>B 3-868-0800P</p>	<p>A</p>	
			<p>UNITS IN MILLIMETER</p>		
			<p>DO NOT SCALE DRAWING</p>	<p>SHEET 2 OF 3</p>	

8 7 6 5 4 3 2 1



-CLICK ON LINKS BELOW FOR REPLACEMENT PARTS-

3-883-608P, HARD TOP JAWS, 6IN, 6-JAW 6 PC SET

3-885-608P, HARD MASTER JAWS, 6IN, 6-JAW 6 PC SET

MATERIAL:	SEE BOM	NAME	T. THACH	DATE	10-29-2024
HARDNESS:	N/A	FINISH:	N/A	DRAWN	T. THACH
<p>CONTACT INFORMATION: Toll Free 855-869-2425 Fax 508-653-5110 www.tmxtools.com 34 TALBOT ROAD NORTH BOROUGH, MA 01532 USA</p>			ENG APPR.	T. THACH	10-29-2024
			MFG APPR.		
			Q.A. APPR.		
			SALES APPR.		
<p>INTERPRET GEOMETRIC TOLERANCING PER: Y1999-2001</p>			<p>TOOLMEX™ SOLE PROPERTY OF TOOLMEX INDUSTRIAL SOLUTIONS</p>		
<p>THIRD ANGLE PROJECTION</p>					
<p>CONFIDENTIAL THIS DRAWING AND THESE SPECIFICATIONS ARE THE SOLE PROPERTY OF TOOLMEX INDUSTRIAL SOLUTIONS, AND SHALL NOT BE REPRODUCED, OR COPIED IN PART OR AS A WHOLE WITHOUT THE EXPRESS WRITTEN PERMISSION OF TOOLMEX INDUSTRIAL SOLUTIONS IS PROHIBITED.</p>			<p>TITLE 8IN, 6-JAW PLAIN BACK FRONT MOUNT SET-TRU SCROLL CHUCK</p>		
<p>SIZE DWG. NO.</p>		<p>REV</p>		<p>UNITS IN MILLIMETER</p>	
<p>B 3-868-0800P</p>		<p>A</p>		<p>DO NOT SCALE DRAWING SHEET 3 OF 3</p>	

8 7 6 5 4 3 2 1